



GRIDDLE CONCEPT

COUNTERTOP ELECTRIC GRIDDLES AND PLANCHAS

Compact heavy duty griddles designed for controlled cooking with high energy efficiency

PSE GRIDDLES (CAST IRON):

- Fine grain smooth cast iron plate assures even cooking
- Each cooking zone is thermostatically controlled up to 570°F
- Integral on/off switch, pilot and temperature indicator lights for each cooking zone
- Stainless steel base for easy cleaning
- One piece griddle plate with integral back and side splashes
- Removable grease drawer

PSS PLANCHAS (STEEL):

All features of PSE series except for...

- Satin finished cold-rolled steel plates
- Platform style one piece griddle top
- Integral stainless steel rear and side splashes

PLANCHA STYLE



Model *PSSE-600* shown

PSSE PLANCHAS (ENAMELED STEEL):

All features of PSS series except for...

- Enameled steel cooking surface to reduce sticking
- Easy to clean cooking surface



Model *PSI-600* shown

PSI PLANCHAS (STAINLESS STEEL):

All features of PSS series except for...

- One piece stainless steel cooking surface, top, and sides
- Easy to clean cooking surface

PCC PLANCHAS (CHROME):

All features of PSS series except for...

- Chrome coated steel plate with satin finish
- Ideal for demonstration cooking

MODELS PSE/PCC/PSS/PSSE - 400

120 V

208/240 V



(*PCC-400* shown)

- * One cooking zone
- * Exterior dimensions: 16"Wx19"Dx9"H

MODELS PSE/PCC/PSS/PSSE/PSI - 600

120 V

208/240 V



(*PSE-600* shown)

- * Two cooking zones
- * Exterior dimensions: 24"Wx19"Dx9"H

MODEL PSS-900

208/240 V



(*PSS-900* shown)

- * Three cooking zones
- * Available in plancha style steel (*PSS*) cooking surface only
- * Exterior dimensions: 36"Wx19"Dx9"H



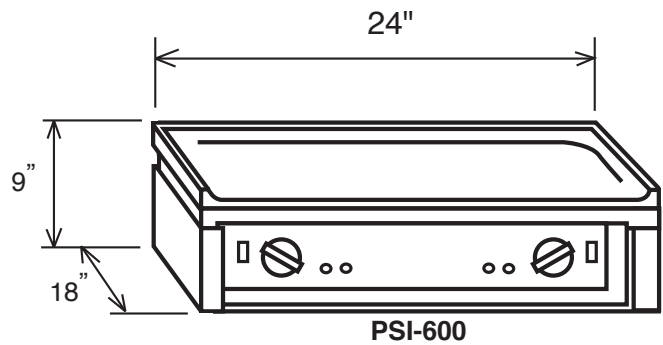
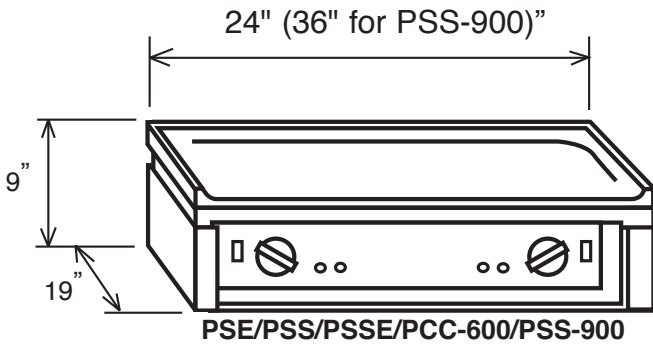
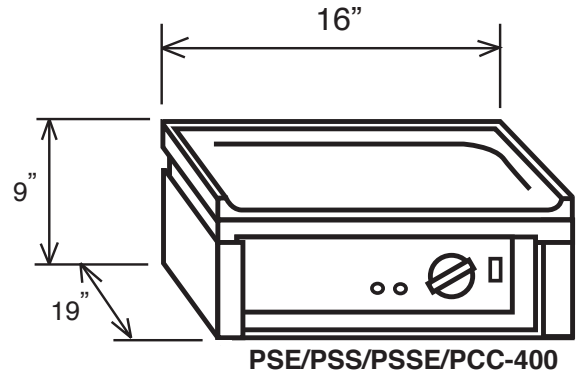
100 NIANTIC AVENUE; SUITE 104 PROVIDENCE, RI 02907
TEL: (401)273-3300 FAX: (401)273-3328 E-mail: sales@equipex.com
www.equipex.com





COUNTERTOP ELECTRIC GRIDDLES AND PLANCHAS

Compact heavy duty griddles designed for controlled cooking with high energy efficiency



SPECIFICATIONS

INSTALLATION CLEARANCE : ALL MODELS 4" EACH SIDE AND BACK

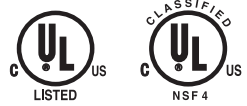
MODEL	ZONES	ELECTRICAL	DIMENSIONS	WORK SURFACE	SHIPPING WEIGHT	NEMA PLUG
PSE-400	1	120V, 2.0KW, 16 Amps 208/240V, 1PH, 3KW, 12/13Amps	16"Wx19"Dx9"H	15"Wx14 1/2"D	50 lbs	5-15 P 6-20 P
PSS-400 PSSE-400 PCC-400	1	120V, 2.0KW, 16 Amps 208/240V, 1PH, 3KW, 12/13Amps	16"Wx19"Dx9"H	15"Wx15"D	50 lbs	5-15 P 6-20 P
PSE-600	2	120V, 2KW, 16 Amps 208/240V, 1PH, 4KW, 15/17Amps	24"Wx19"Dx9"H	23"Wx14 1/2"D	70 lbs	5-15 P 6-20 P
PSS-600 PSSE-600 PCC-600	2	120V, 2KW, 16 Amps 208/240V, 1PH, 4KW, 15/17Amps	24"Wx19"Dx9"H	23"Wx15"D	70 lbs	5-15 P 6-20 P
PSI-600	2	120V, 2KW, 16Amps 208/240V 3.5KW, 15/17Amps	24"Wx18"Dx9"H	24"Wx18"D	80 lbs	5-15 P 6-20 P
PSS-900	3	208/240V, 1PH, 21/24mps, 6KW 208/240V, 3PH, 13/15Amps, 6KW	36"Wx19"Dx9"H	35"Wx15"D	145 lbs	6-50 P Cord Only

GRILLING CAPACITY*

MODEL	BURGERS	PANCAKES	STEAKS
PSE/PSS/PSSE/PCC-400	210	170	75
PSE/PSS/PSSE/PCC/PSI-60	320	240	115
PSS-900	480	360	170

* estimated per hour;
may vary with actual sizes
and brands of products

WARRANTY: Limited one-year parts and labor



100 NIANTIC AVENUE; SUITE 104 PROVIDENCE, RI 02907
TEL: (401)273-3300 FAX: (401)273-3328 E-mail: sales@equipex.com
www.equipex.com